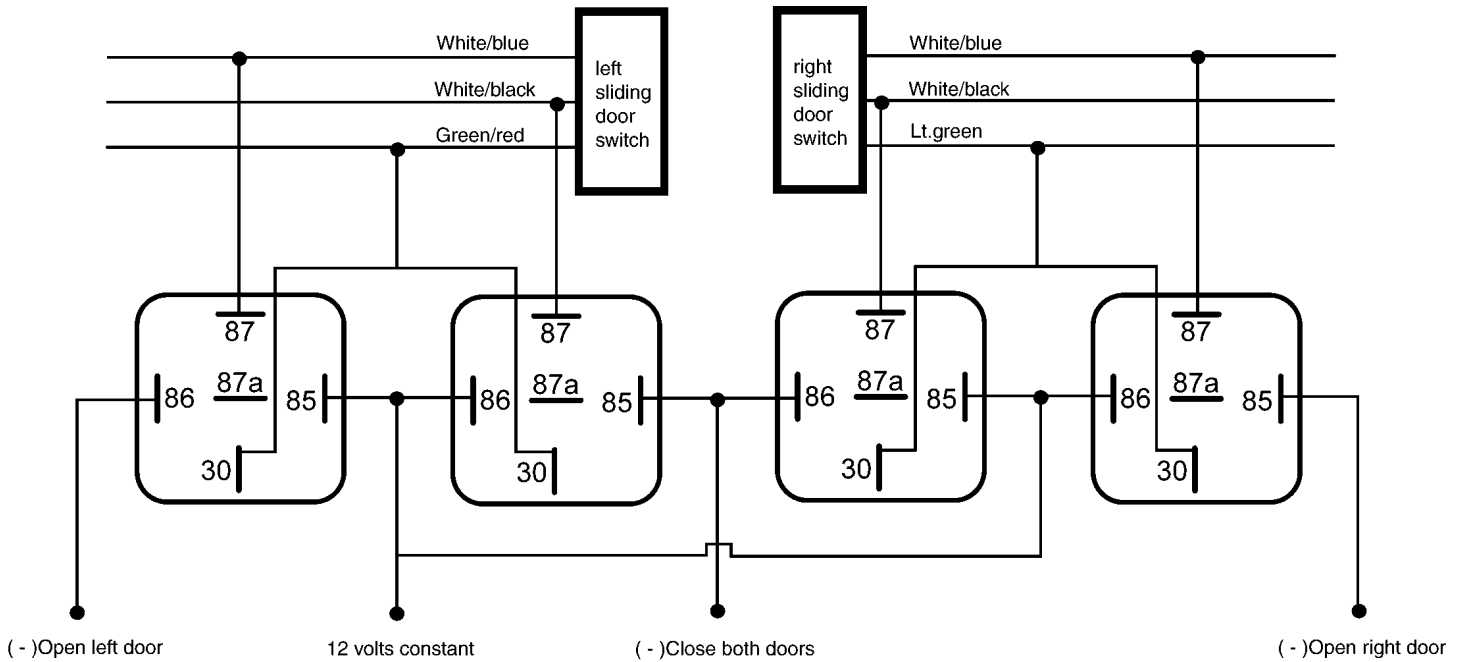


Operating sliding doors on Honda Odyssey 1998 & up



The sliding door switches are in the dashboard to the left of the steering column. The doors must be unlocked before they can be opened. If only one door is needed, you can eliminate the 2 relays under the switch you don't need.

NOTE: The information on this sheet is provided on an "as is" basis with no representation or warranty of accuracy whatsoever. It is the sole responsibility of the installer to check and verify any circuit before connecting to it. Only a computer safe logic probe or digital multimeter should be used. Wiremagic.com Corp. assumes absolutely no liability or responsibility whatsoever pertaining to the accuracy or currency of the information supplied. The installation in every case is the sole responsibility of the installer performing the work and Wiremagic.com Corp. assumes no liability or responsibility whatsoever resulting from any type of installation, whether performed properly, improperly or any other way. The information supplied is a guide only.